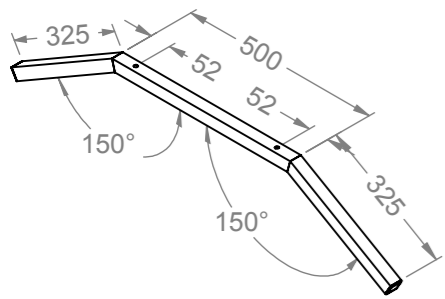
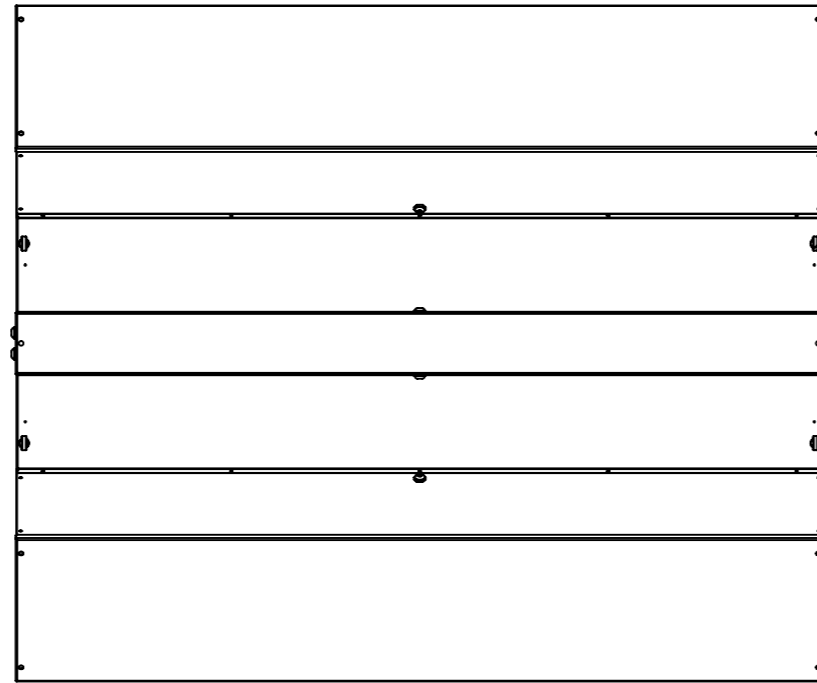


Delivery Date: -

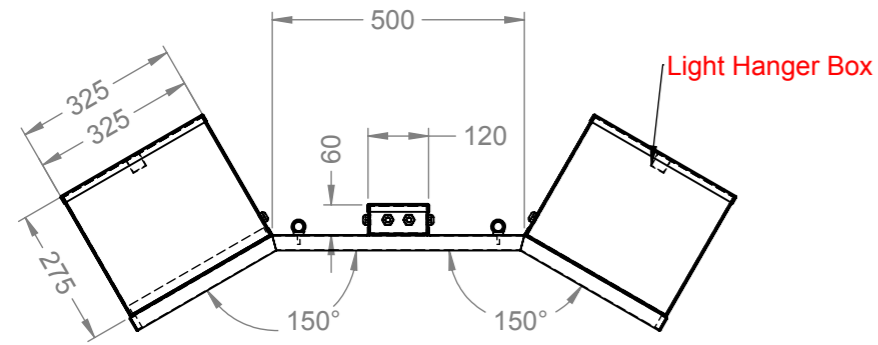
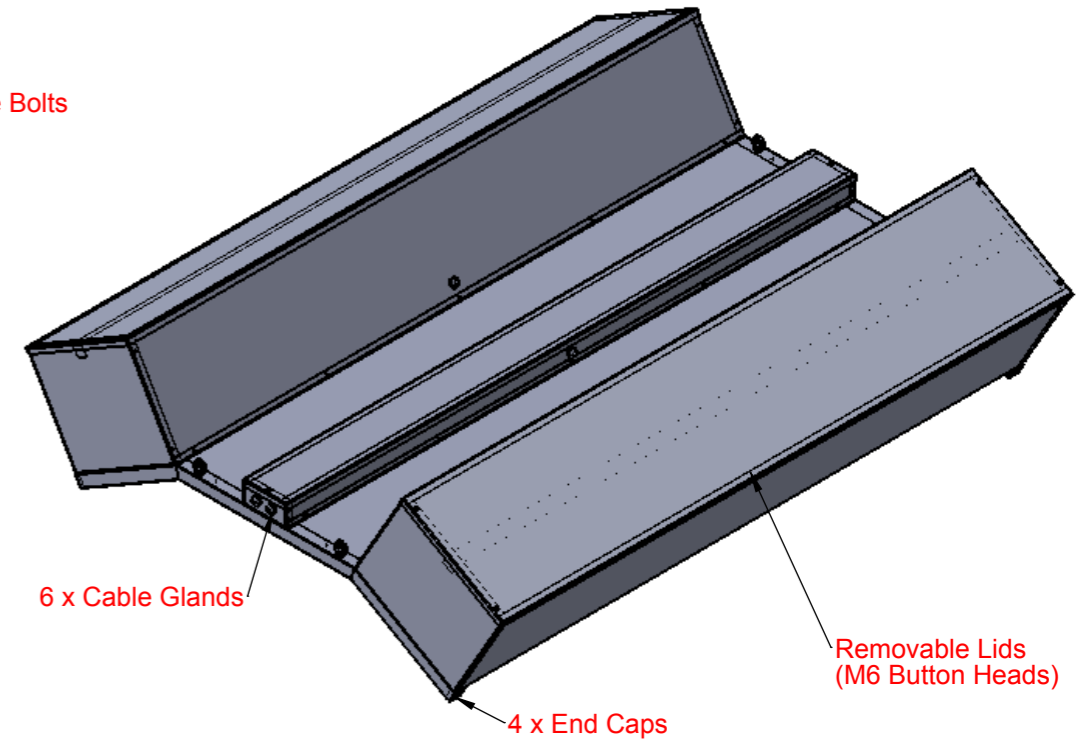
Overnight:	NO
Collection:	YES
Delivery:	NO



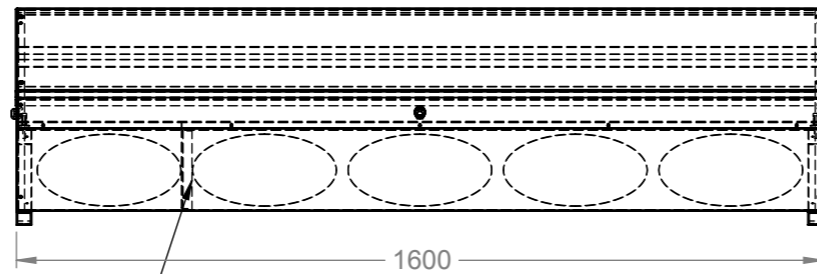
Box Frame Assembly
2 Of



4 x Eye Bolts

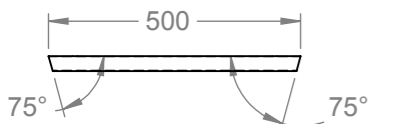
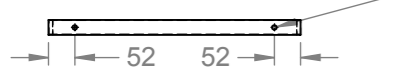


Light Hanger Box

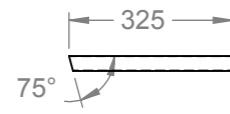


Support Angle To Sit Inside IR Body
Between Each Cut Out

Ø9 (For Inserted Thread - M6)



Length Box Work
30 x 30mm 430Grd AS
2 Of



Depth Box Work
30 x 30mm 430Grd AS
4 Of



Light Hanger Box Work
30 x 30mm 430Grd AS
2 Of

Check List

	Date:	Print Name:
Process Check List		
Drawing Check:		
Cutting Check:		
Bending Check:		
Completed By:		
Quality Check:		

Included - Fabricator Notes

- * 4 x M6 Eye Bolts
- * 4 x 30mm SQ Box Section End Caps
- * 6 x 20mm Cable Glands
- * 4 x Jacketed Short 300watt Infrared Low Pressure Heat Lamp Assembly
- * 8 x Infrared Edison Bulb Assembly



PLB Group,
Herritage Farm,
Klondyke Lane,
Thorpe Satchville,
Melton Mowbray,
Leicestershire LE14 2TB
Tel / Fax: 01664 840567
VAT No. 836697083

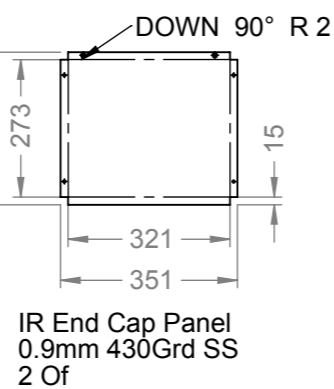
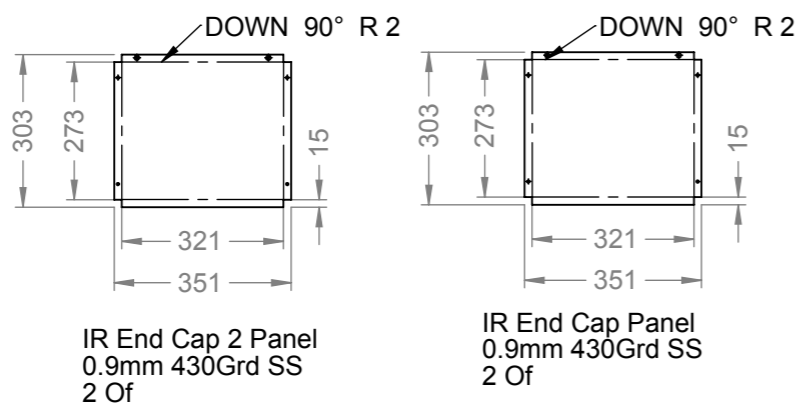
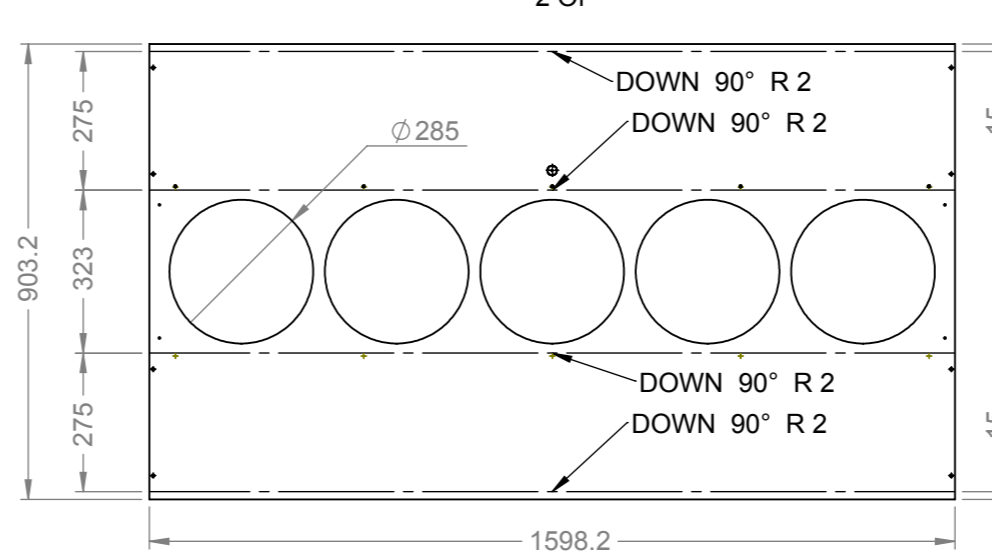
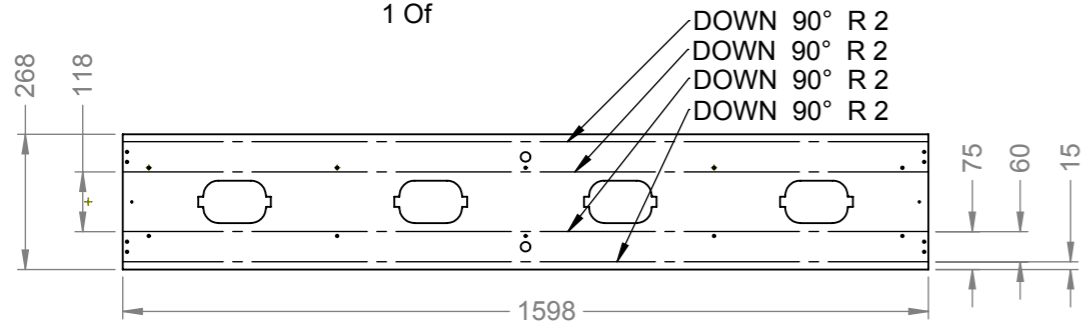
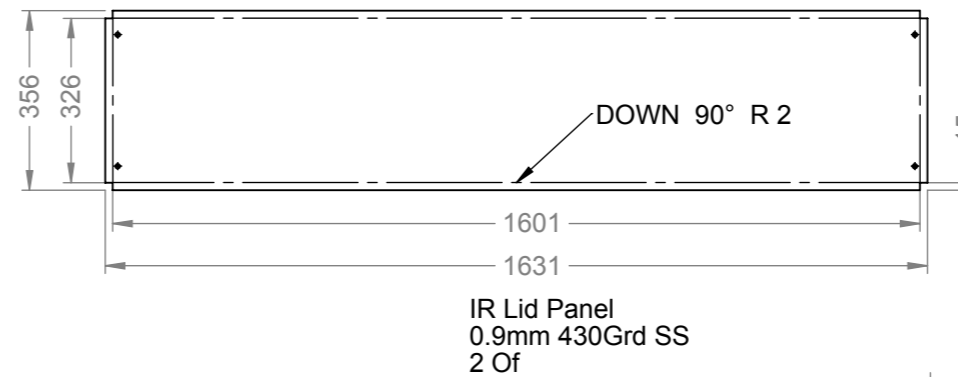
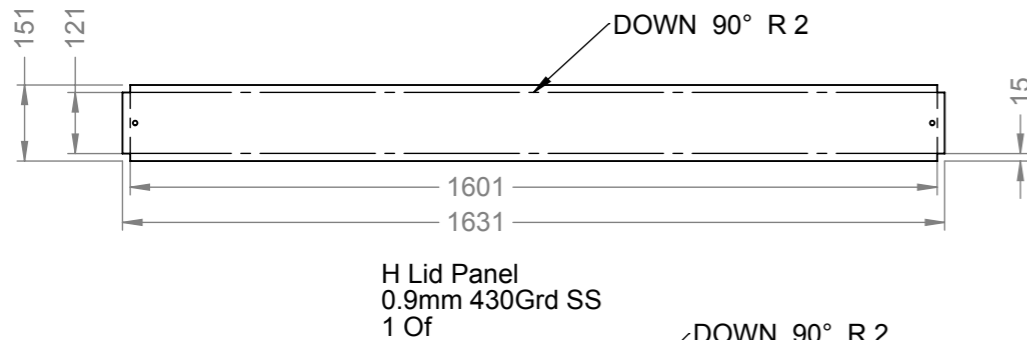
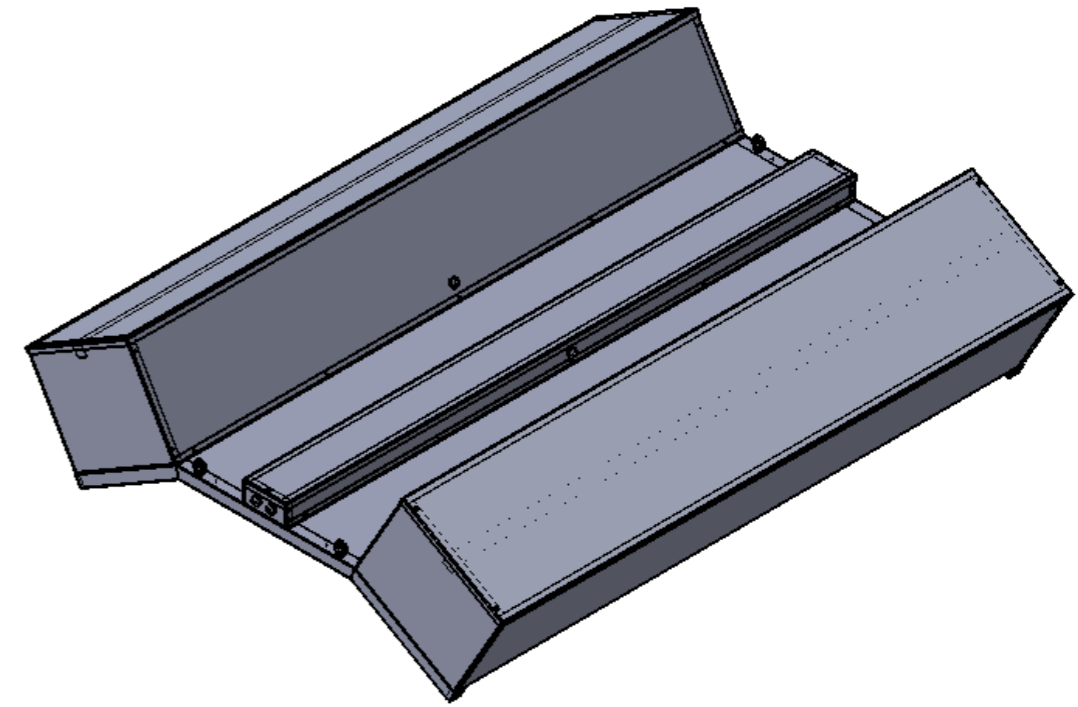
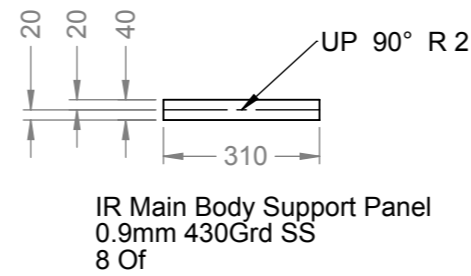
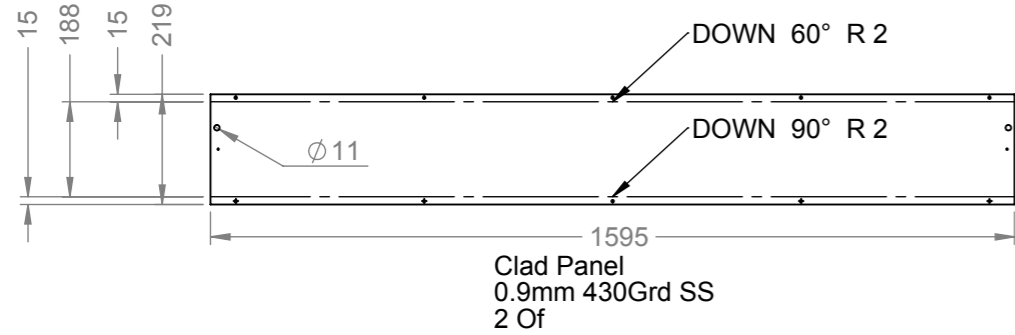
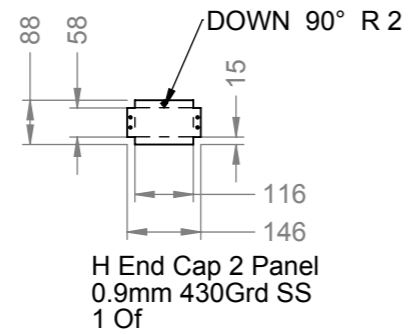
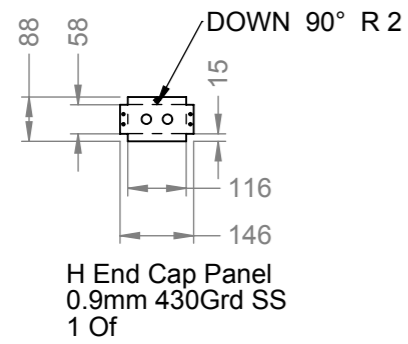
www.4equineproducts.co.uk www.midlandequestrian.co.uk

Sales Advisor:	Carlo	CLIENT:	John Steels
SCALE:	N.T.S	Item Number:	1H-2IR
Clarity NO.:			
File Name:	1H-2IR - Full Assembly		

QUANTITY:	DATE	DRAWN BY	CHECKED BY	SIGNATURE:	REVISION
x1	25-09-17	A. B.	-		-
IF IN DOUBT ASK			DO NOT SCALE DRAWING		
ALL DIMENSIONS IN mm UNLESS OTHERWISE STATED					SHEET 1 OF 2

Delivery Date: -

Overnight:	NO
Collection:	YES
Delivery:	NO



Check List

	Date:	Print Name:
Process Check List		
Drawing Check:		
Cutting Check:		
Bending Check:		
Completed By:		
Quality Check:		

Fabricator Notes



PLB Group,
Herritage Farm,
Klondyke Lane,
Thorpe Satchville,
Melton Mowbray,
Leicestershire LE14 2TB
Tel / Fax: 01664 840567
VAT No. 836697083

www.4equineproducts.co.uk www.midlandequestrian.co.uk

Sales Advisor:		CLIENT:	
Carlo		John Steels	
SCALE: N.T.S	Item Number: 1H-2IR	Clarity NO. -	
File Name: 1H-2IR - Full Assembly			

QUANTITY: x1	DATE: 25-09-17	DRAWN BY: A. B.	CHECKED BY:	SIGNATURE:	REVISION: -
IF IN DOUBT ASK			DO NOT SCALE DRAWING		
ALL DIMENSIONS IN mm UNLESS OTHERWISE STATED					SHEET 2 OF 2