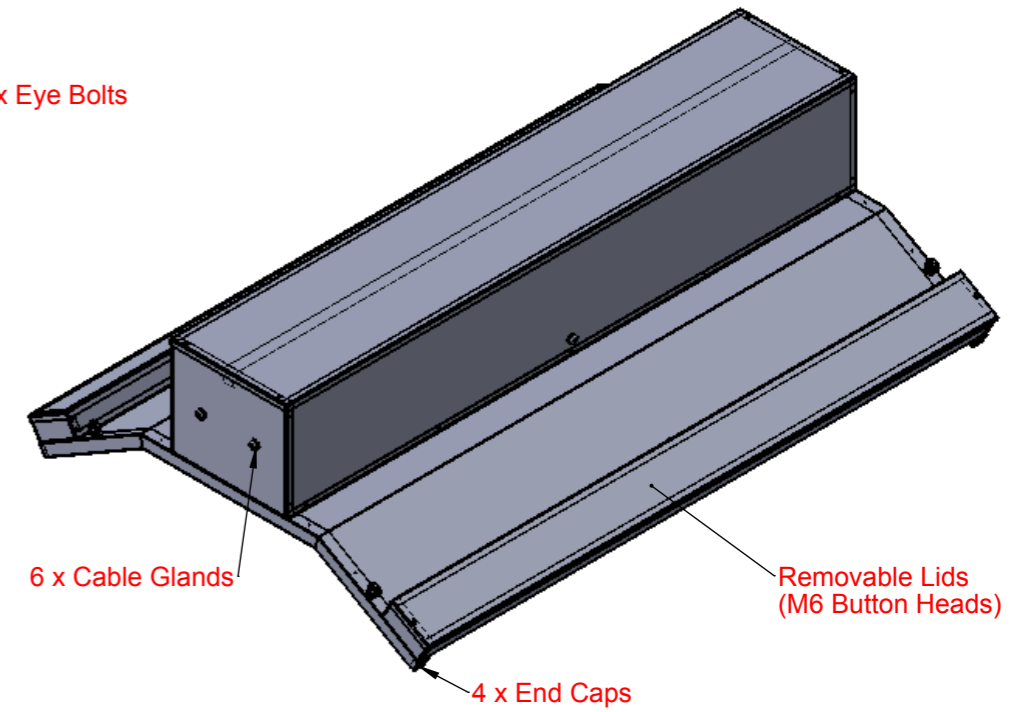
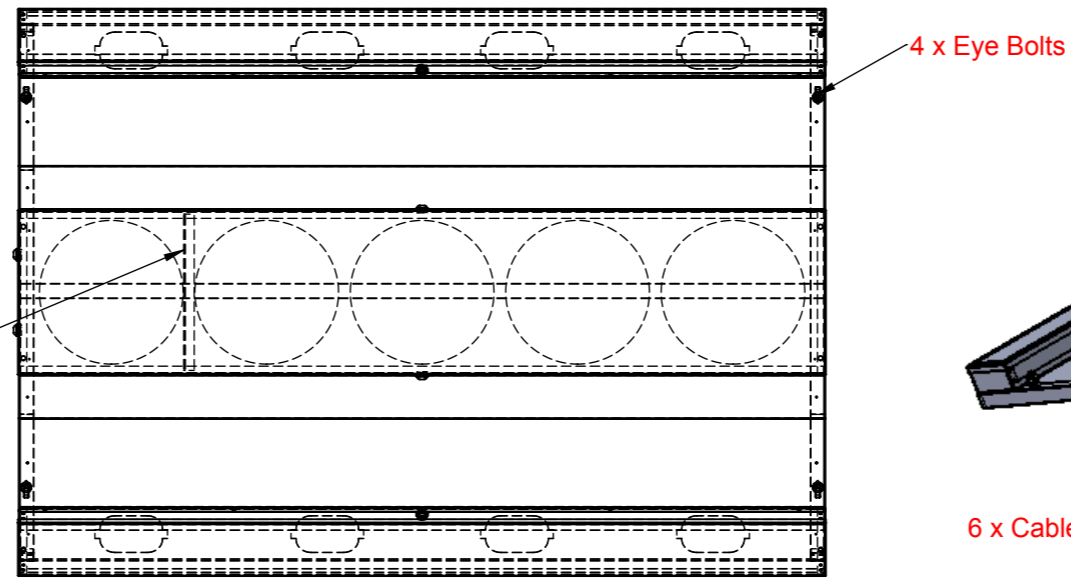
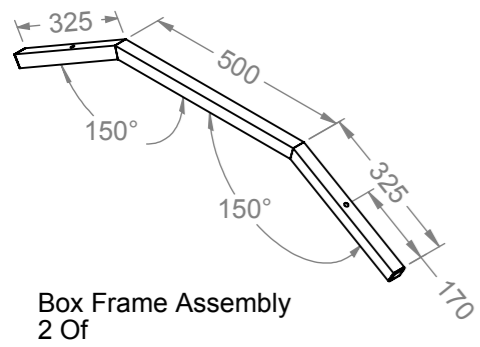
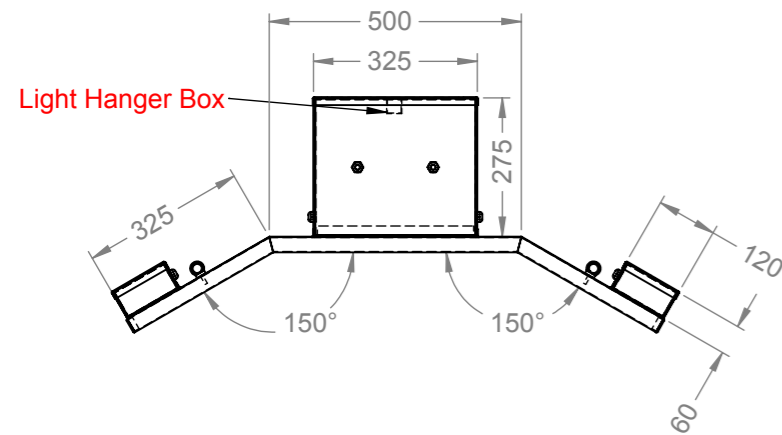
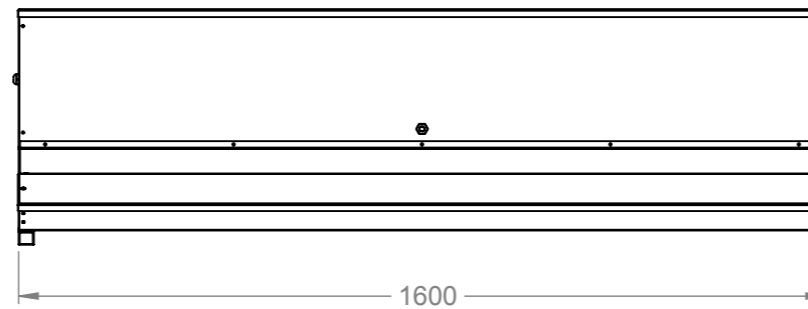


Delivery Date: -

Overnight:	NO
Collection:	YES
Delivery:	NO



Support Angle To Sit Inside IR Body Between Each Cut Out

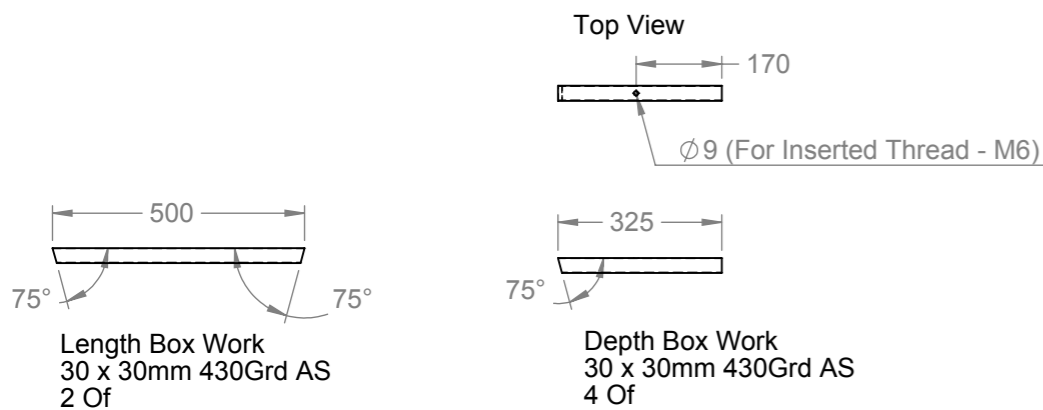


Check List		
	Date:	Print Name:
Process Check List		
Drawing Check:		
Cutting Check:		
Bending Check:		
Completed By:		
Quality Check:		

- Included - Fabricator Notes**
- * 4 x M6 Eye Bolts
 - * 4 x 30mm SQ Box Section End Caps
 - * 6 x 20mm Cable Glands
 - * 8 x Jacketed Short 300watt Infrared Low Pressure Heat Lamp Assembly
 - * 4 x Infrared Edison Bulb Assembly

PLB Group,
Hermitage Farm,
Klondyke Lane,
Thorpe Sacchville,
Melton Mowbray,
Leicestershire LE14 2TB
Tel./ Fax: 01664 840567
VAT No. 836697083
www.fequineproducts.co.uk www.midlandequestrian.co.uk

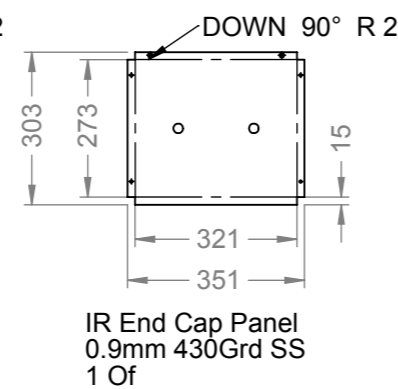
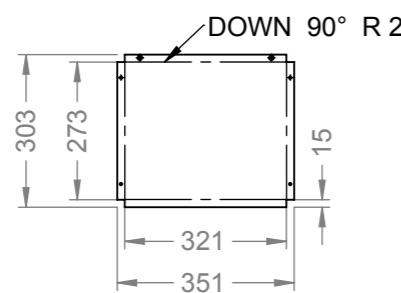
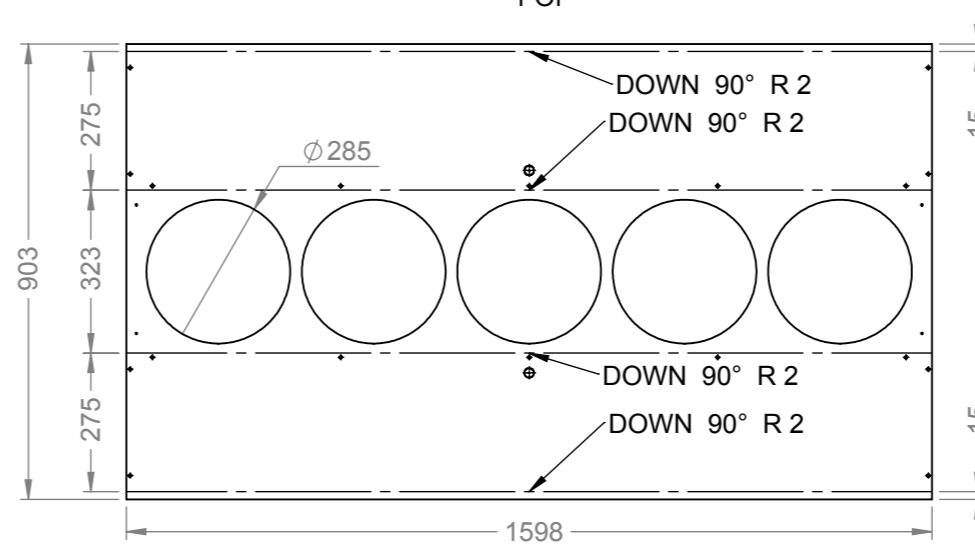
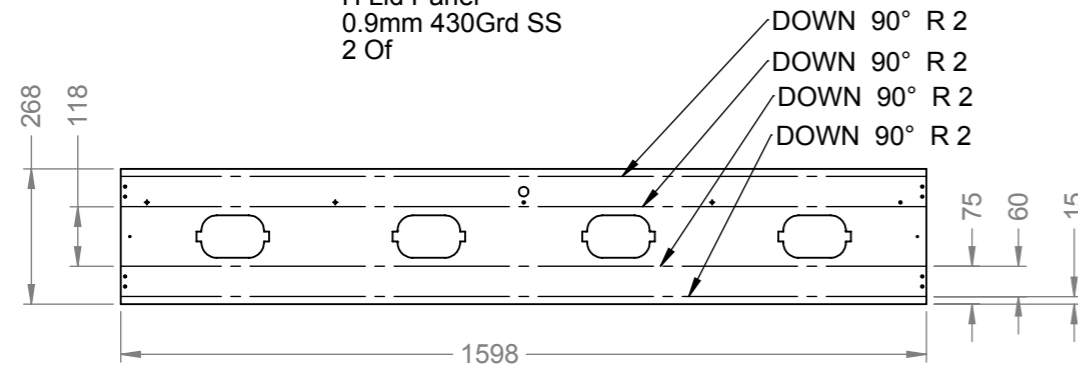
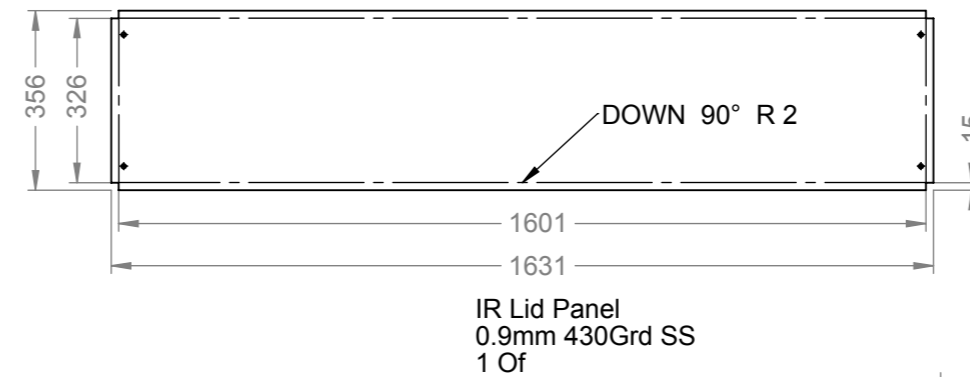
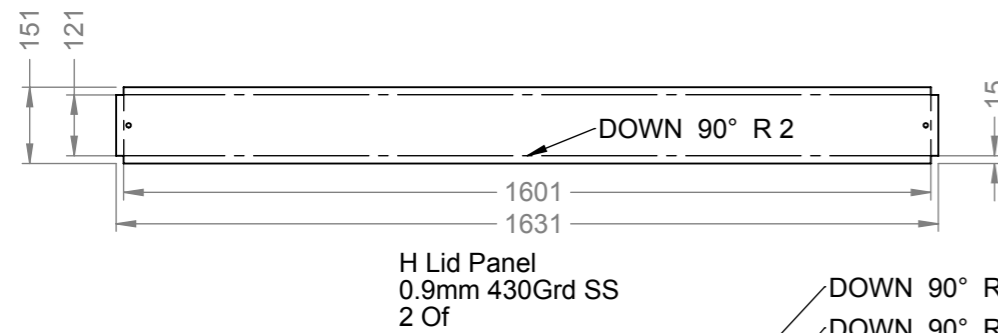
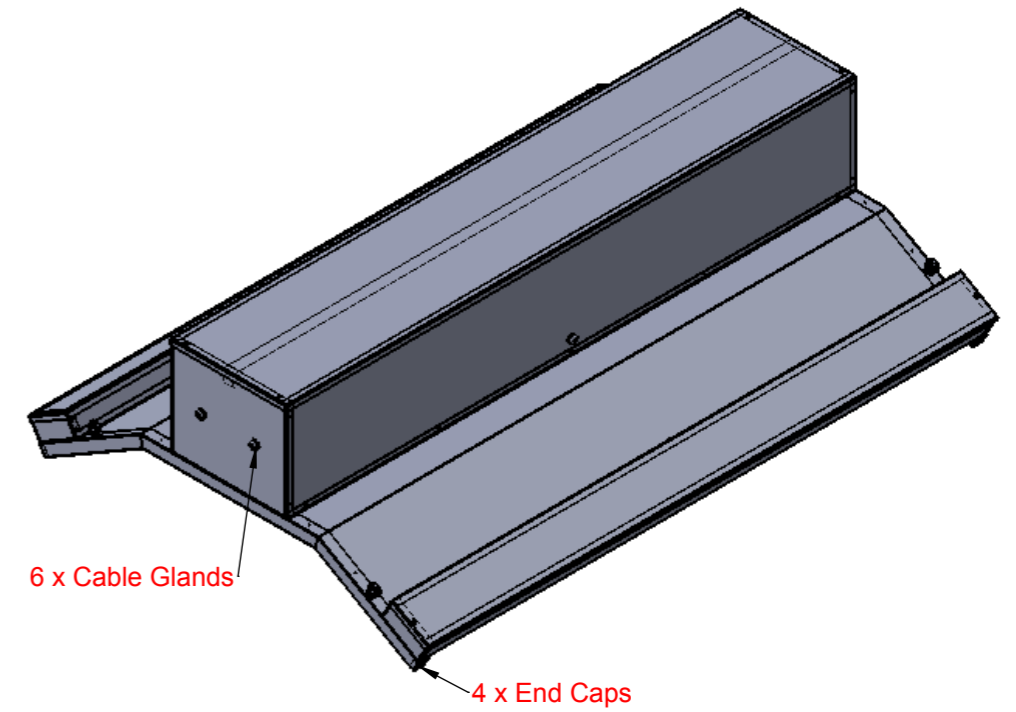
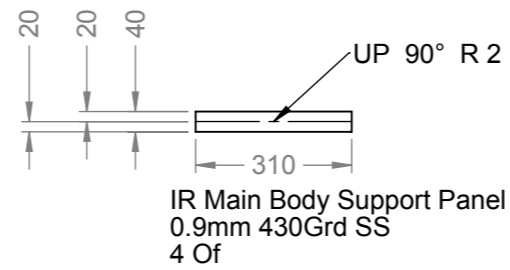
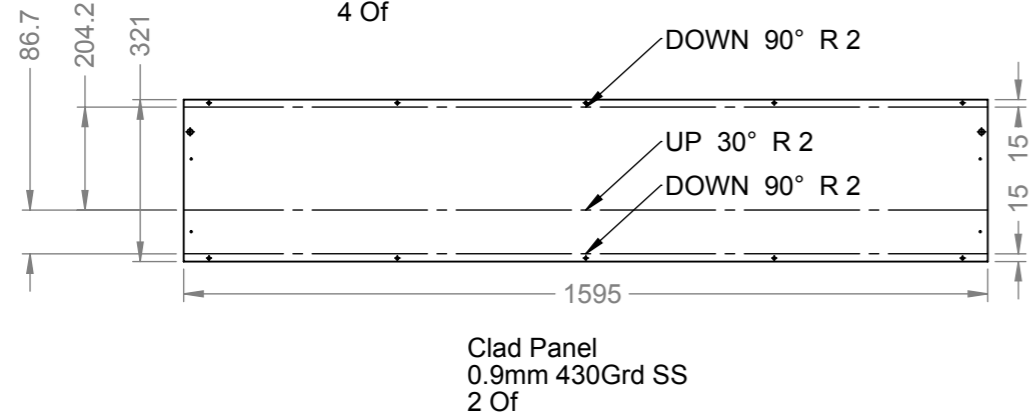
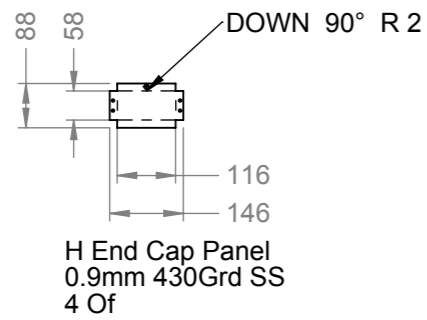
Sales Advisor: Carlo		CLIENT: John Steels	
SCALE: N.T.S.	Item Number: 2H-1IR	Clarity NO. -	
File Name: 2H-1IR - Full Assembly			



QUANTITY: x1	DATE: 25-09-17	DRAWN BY: A. B.	CHECKED BY: -	SIGNATURE: -	REVISION: -
IF IN DOUBT ASK			DO NOT SCALE DRAWING		
ALL DIMENSIONS IN mm UNLESS OTHERWISE STATED				SHEET 1 OF 2	

Delivery Date: -

Overnight:	NO
Collection:	YES
Delivery:	NO



Check List

	Date:	Print Name:
Process Check List		
Drawing Check:		
Cutting Check:		
Bending Check:		
Completed By:		
Quality Check:		

Fabricator Notes

PLB Group,
Hermitage Farm,
Klondyke Lane,
Thorpe Sacchville,
Melton Mowbray,
Leicestershire LE14 2TB
Tel./ Fax: 01664 840567
VAT No. 836697083
www.fequineproducts.co.uk www.midlandequestrian.co.uk

Sales Advisor:		CLIENT:	
Carlo		John Steels	
SCALE: N.T.S	Item Number: 2H-1IR	Clarity NO. -	
File Name: 2H-1IR - Full Assembly			

QUANTITY: x1	DATE: 25-09-17	DRAWN BY: A. B.	CHECKED BY:	SIGNATURE:	REVISION: -
IF IN DOUBT ASK			DO NOT SCALE DRAWING		
ALL DIMENSIONS IN mm UNLESS OTHERWISE STATED					SHEET 2 OF 2