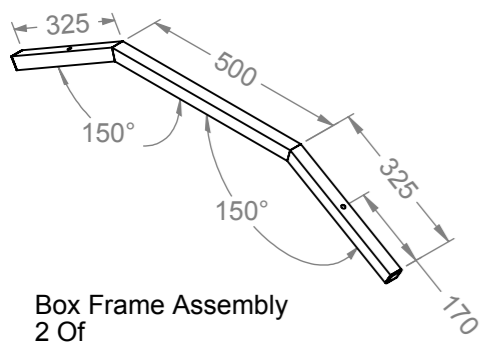
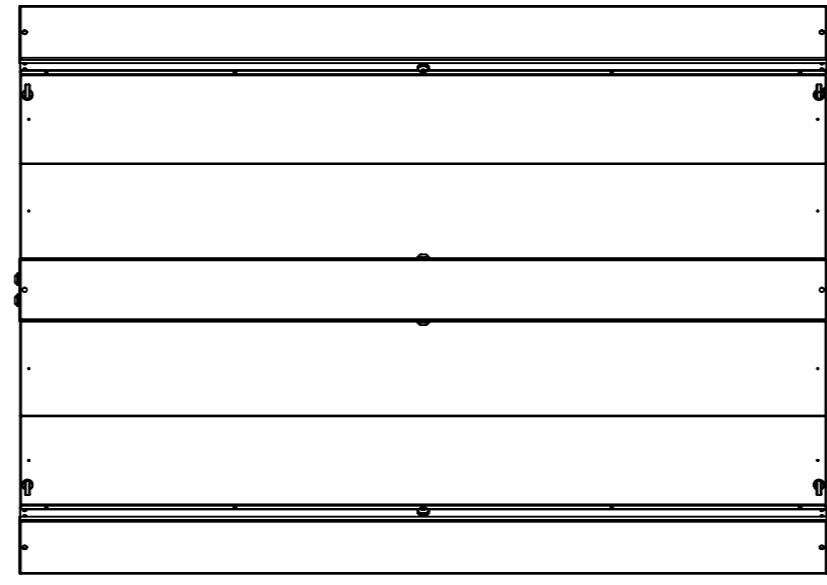


Delivery Date: -

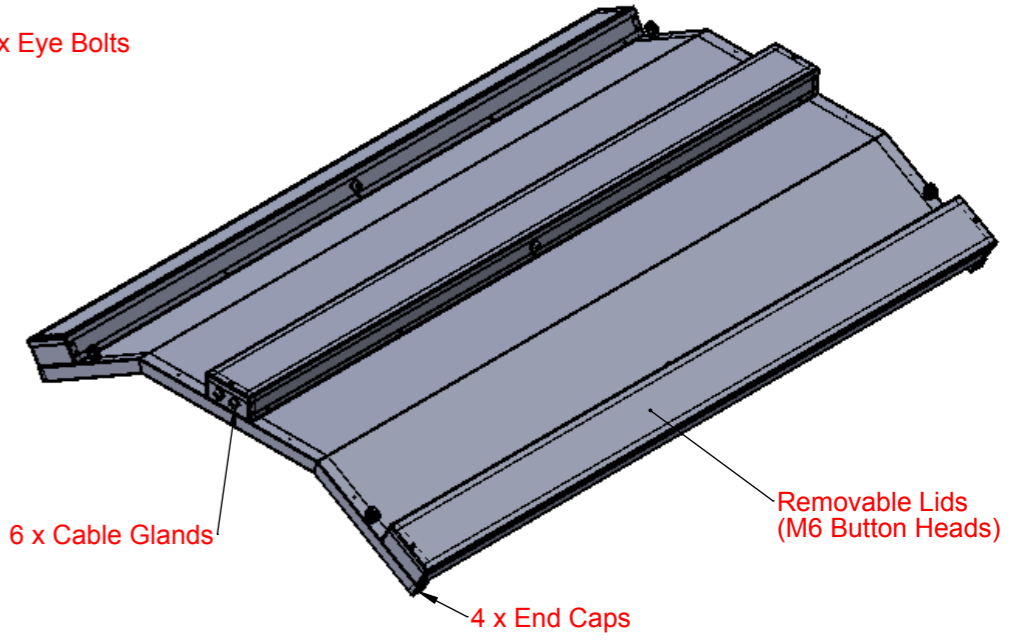
Overnight:	NO
Collection:	YES
Delivery:	NO



Box Frame Assembly
2 Of



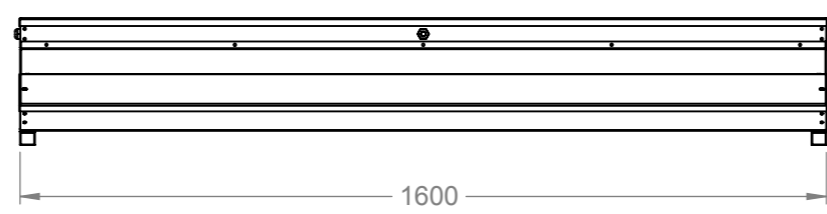
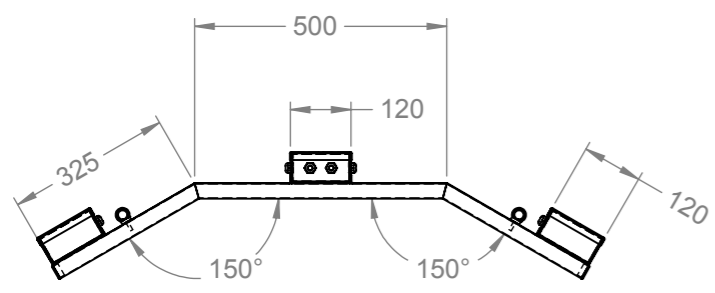
4 x Eye Bolts



6 x Cable Glands

4 x End Caps

Removable Lids
(M6 Button Heads)



1600

Check List

	Date:	Print Name:
Process Check List		
Drawing Check:		
Cutting Check:		
Bending Check:		
Completed By:		
Quality Check:		

Included - Fabricator Notes

- * 4 x M6 Eye Bolts
- * 4 x 30mm SQ Box Section End Caps
- * 6 x 20mm Cable Glands
- * 12 x Jacketed Short 300watt Infrared Low Pressure Heat Lamp Assembly



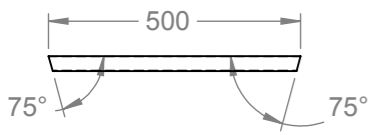
PLB Group,
Hermitage Farm,
Klondyke Lane,
Thorpe Sacchville,
Melton Mowbray,
Leicestershire LE14 2TB
Tel./ Fax: 01664 840567
VAT No. 836697083

www.fequineproducts.co.uk www.midlandequestrian.co.uk

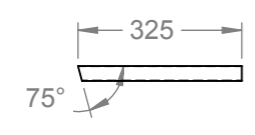
Sales Advisor:	Carlo	CLIENT:	John Steels
SCALE:	N.T.S	Item Number:	3H
Clarity NO.:			
File Name:	3H - Full Assembly		



Ø9 (For Inserted Thread - M6)



Length Box Work
30 x 30mm 430Grd AS
2 Of

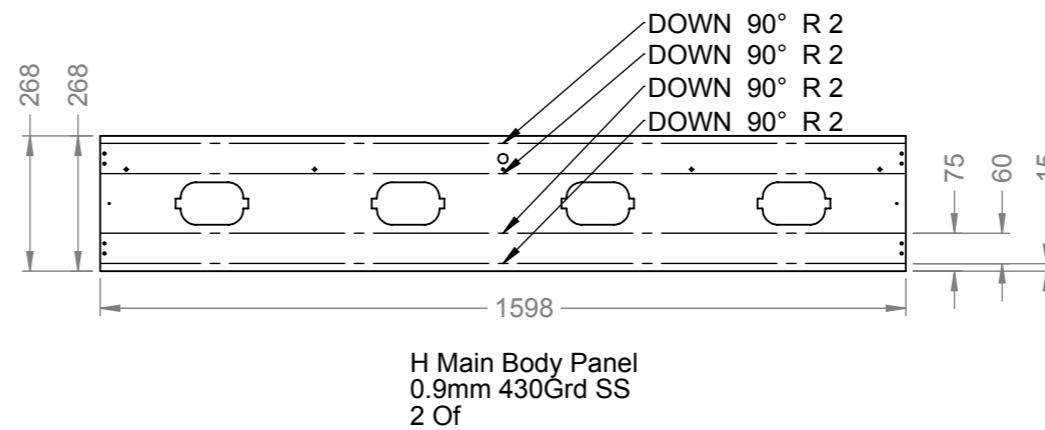
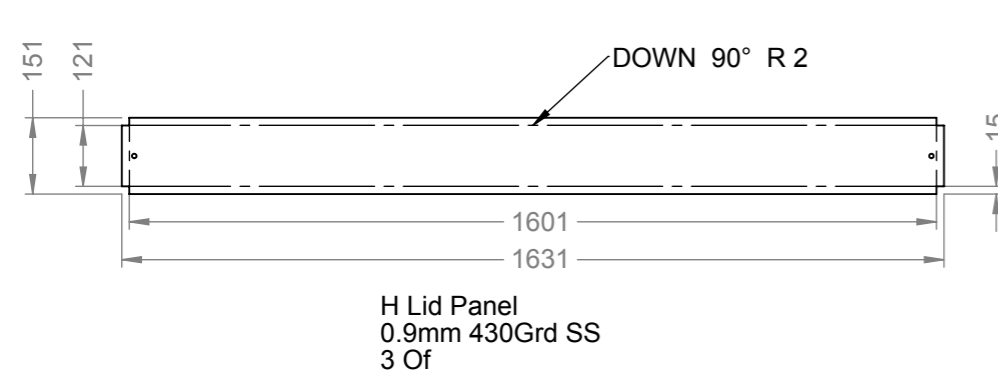
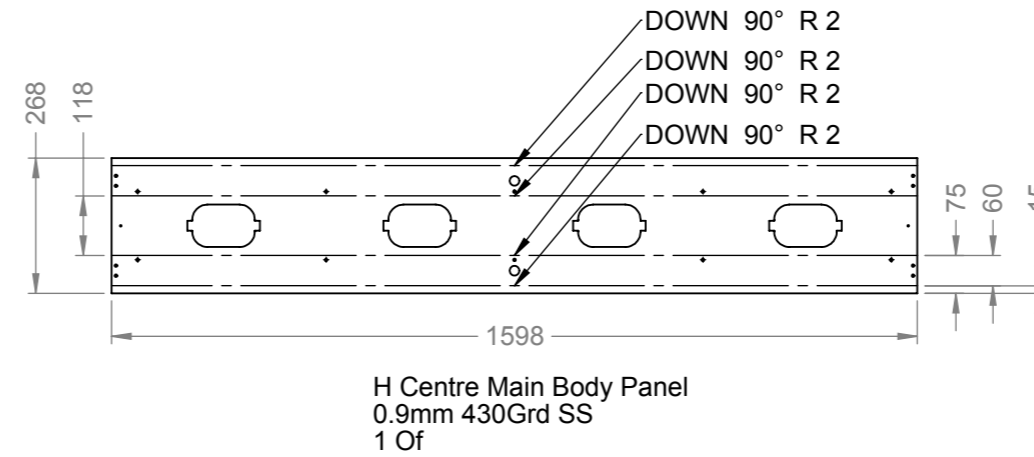
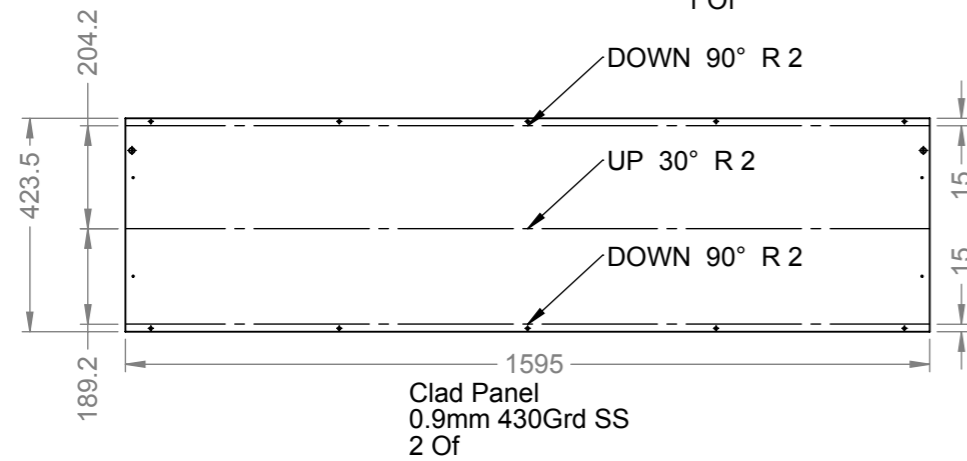
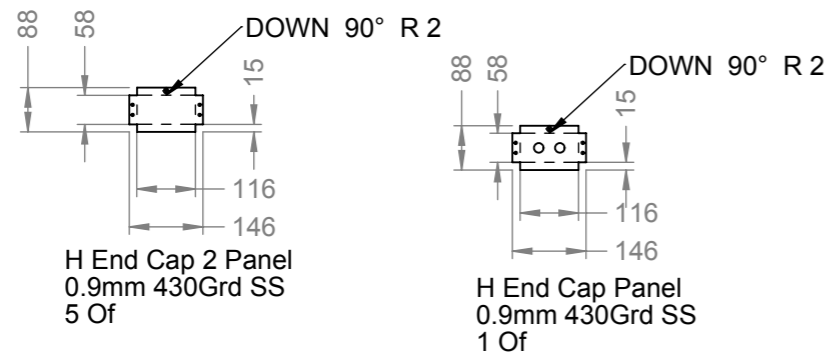
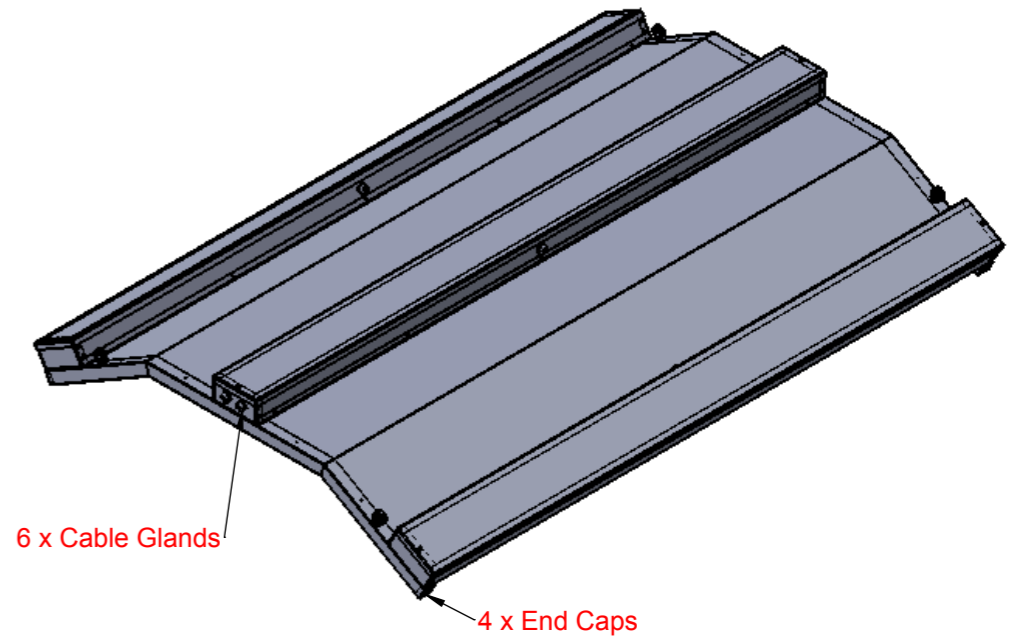


Depth Box Work
30 x 30mm 430Grd AS
4 Of

QUANTITY:	x1	DATE:	25-09-17	DRAWN BY:	A. B.	CHECKED BY:	-	SIGNATURE:	-	REVISION:	-
IF IN DOUBT ASK						DO NOT SCALE DRAWING					
ALL DIMENSIONS IN mm UNLESS OTHERWISE STATED									SHEET 1 OF 2		A3

Delivery Date: -

Overnight:	NO
Collection:	YES
Delivery:	NO



Check List

	Date:	Print Name:
Process Check List		
Drawing Check:		
Cutting Check:		
Bending Check:		
Completed By:		
Quality Check:		

Fabricator Notes



Sales Advisor:		CLIENT:	
Carlo		John Steels	
SCALE: N.T.S	Item Number:	3H	Clarity NO. -
File Name: 3H - Full Assembly			

QUANTITY: x1	DATE: 25-09-17	DRAWN BY: A. B.	CHECKED BY:	SIGNATURE:	REVISION: -
IF IN DOUBT ASK			DO NOT SCALE DRAWING		
ALL DIMENSIONS IN mm UNLESS OTHERWISE STATED					SHEET 2 OF 2