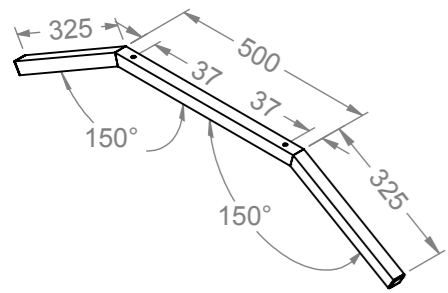


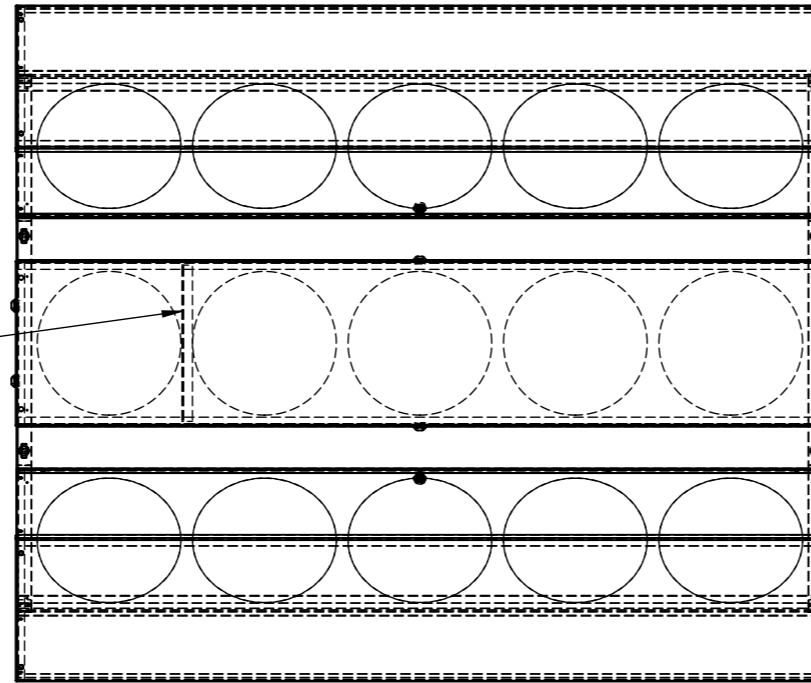
Delivery Date: -

Overnight:	NO
Collection:	YES
Delivery:	NO

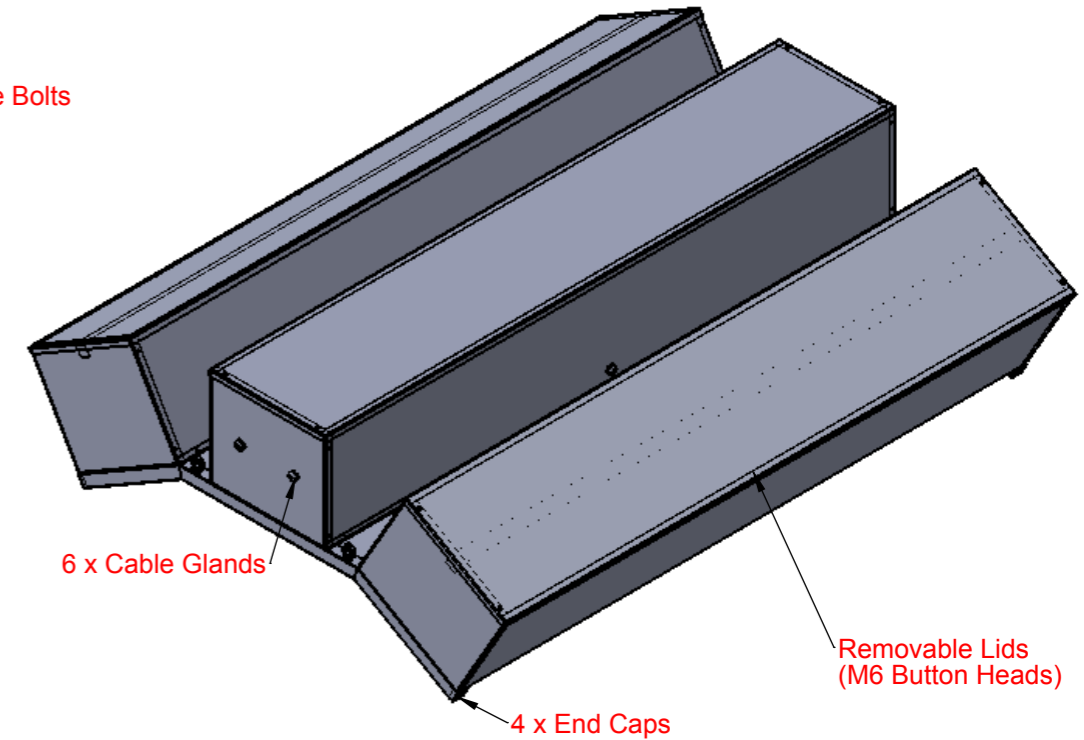


Box Frame Assembly
2 Of

Support Angle To Sit Inside IR Body
Between Each Cut Out



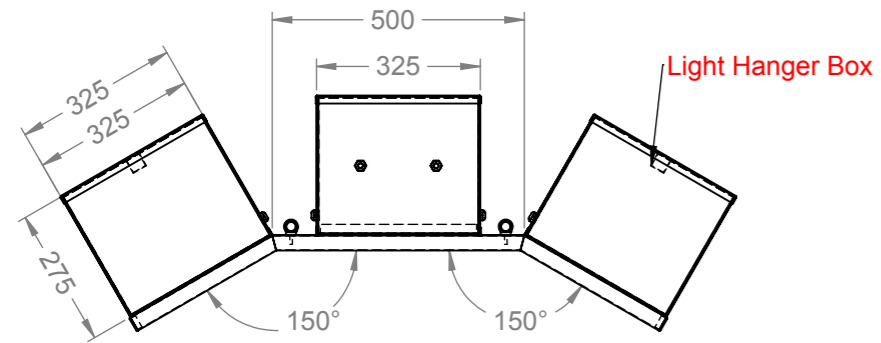
4 x Eye Bolts



6 x Cable Glands

Removable Lids
(M6 Button Heads)

4 x End Caps



Light Hanger Box



1600

Check List

	Date:	Print Name:
Process Check List		
Drawing Check:		
Cutting Check:		
Bending Check:		
Completed By:		
Quality Check:		

Included - Fabricator Notes

- * 4 x M6 Eye Bolts
- * 4 x 30mm SQ Box Section End Caps
- * 6 x 20mm Cable Glands
- * 12 x Infrared Edison Bulb Assembly

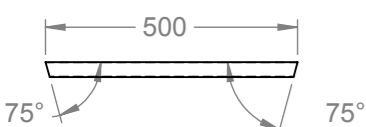
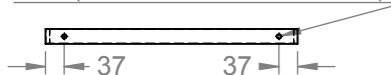


PLB Group,
Hermitage Farm,
Klondyke Lane,
Thorpe Sacchville,
Melton Mowbray,
Leicestershire LE14 2TB
Tel./ Fax: 01664 840567
VAT No. 836697083

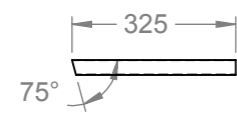
www.fequineproducts.co.uk www.midlandequestrian.co.uk

Sales Advisor:		CLIENT:	
Carlo		John Steels	
SCALE: N.T.S	Item Number:	3IR	Clarity NO. -
File Name:			
3IR - Full Assembly			

Ø9 (For Inserted Thread - M6)



Length Box Work
30 x 30mm 430Grd AS
2 Of



Depth Box Work
30 x 30mm 430Grd AS
4 Of



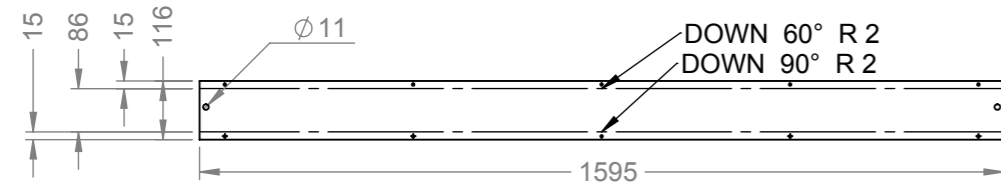
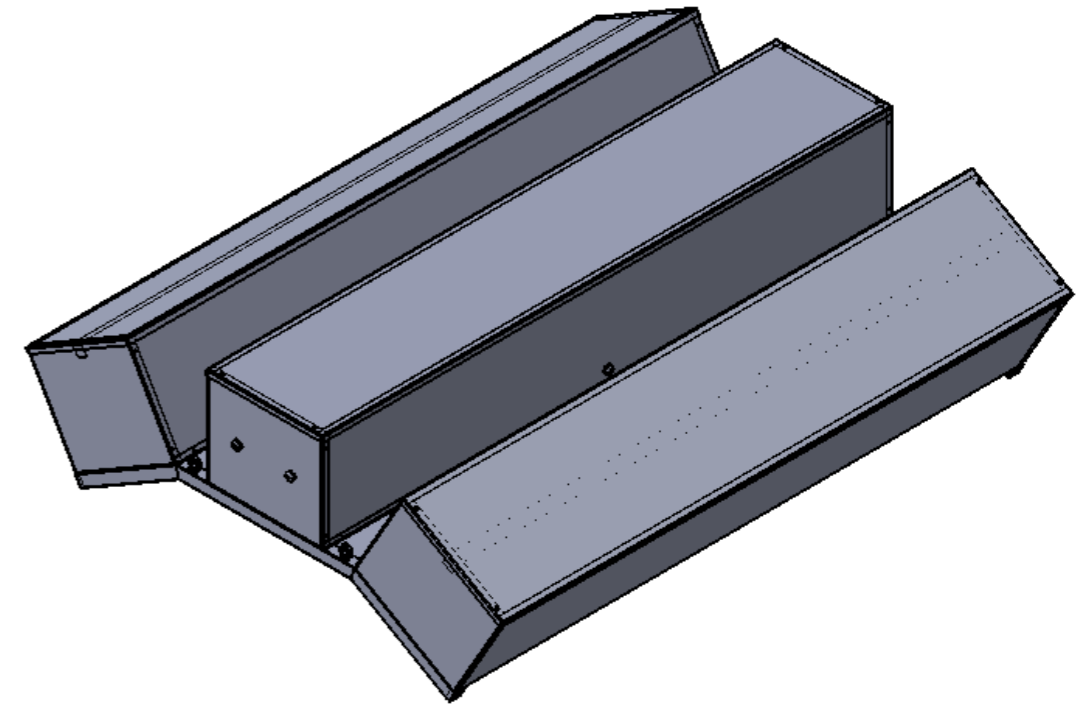
1595

Light Hanger Box Work
30 x 30mm 430Grd AS
3 Of

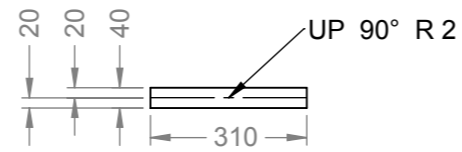
QUANTITY: x1	DATE: 25-09-17	DRAWN BY: A. B.	CHECKED BY:	SIGNATURE:	REVISION: -
IF IN DOUBT ASK			DO NOT SCALE DRAWING		
ALL DIMENSIONS IN mm UNLESS OTHERWISE STATED					SHEET 1 OF 2

Delivery Date: -

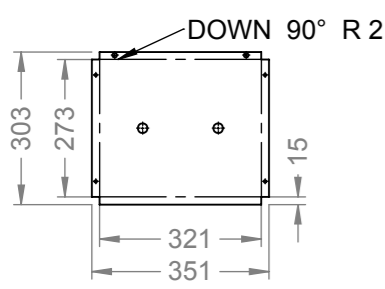
Overnight:	NO
Collection:	YES
Delivery:	NO



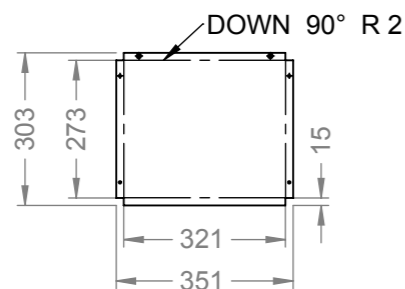
Clad Panel
0.9mm 430Grd SS
2 Of



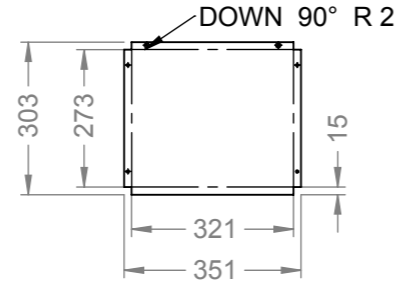
IR Main Body Support Panel
0.9mm 430Grd SS
12 Of



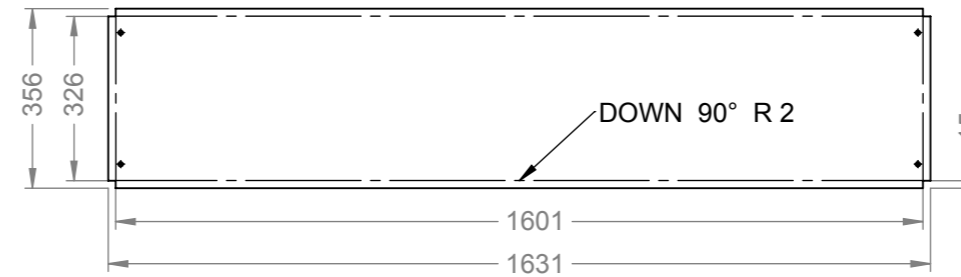
IR Centre End Cap Panel
0.9mm 430Grd SS
1 Of



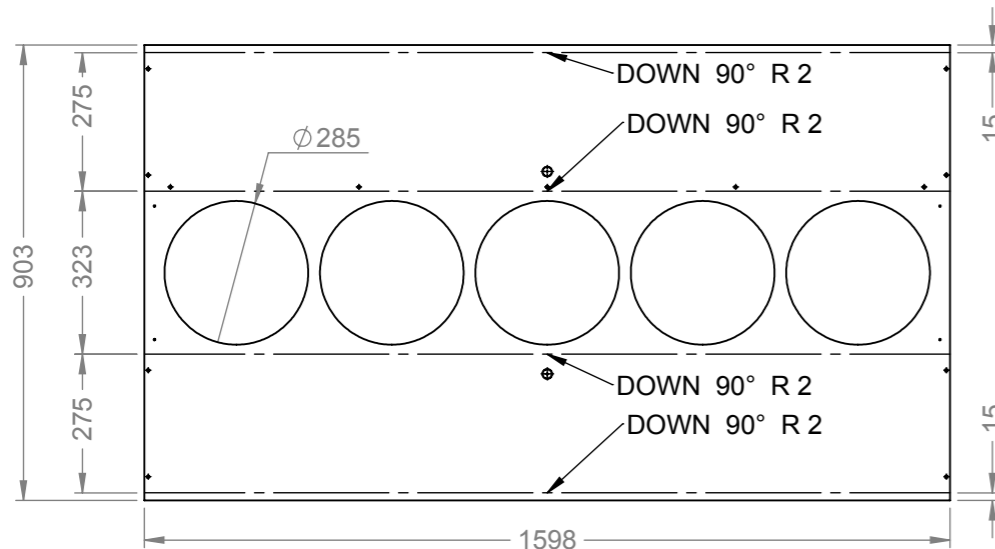
IR End Cap 2 Panel
0.9mm 430Grd SS
2 Of



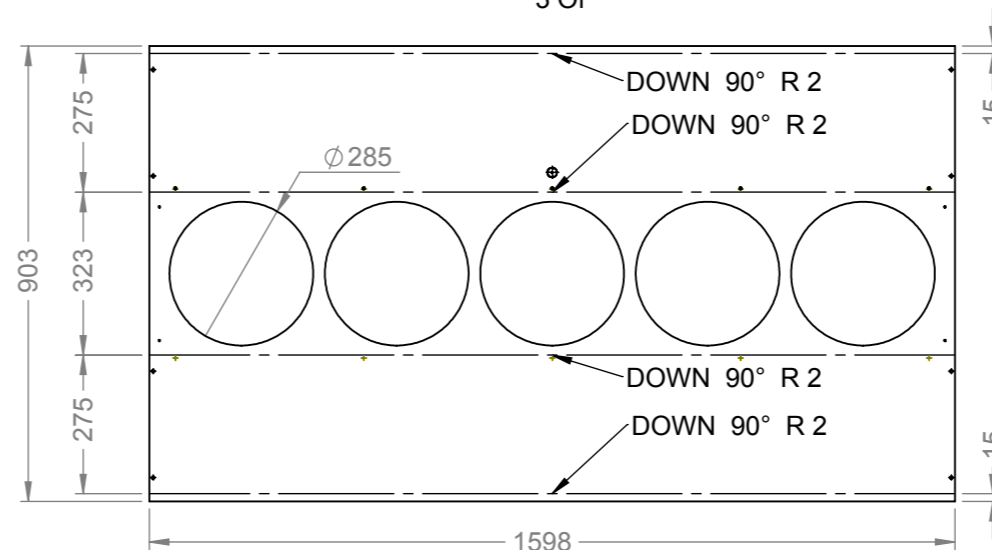
IR End Cap Panel
0.9mm 430Grd SS
3 Of



IR Lid Panel
0.9mm 430Grd SS
3 Of



IR Centre Main Body Panel
0.9mm 430Grd SS
1 Of



IR Main Body Panel
0.9mm 430Grd SS
2 Of

Check List

	Date:	Print Name:
Process Check List		
Drawing Check:		
Cutting Check:		
Bending Check:		
Completed By:		
Quality Check:		

Fabricator Notes



PLB Group,
Hermitage Farm,
Klondyke Lane,
Thorpe Sacchville,
Melton Mowbray,
Leicestershire LE14 2TB
Tel./ Fax: 01664 840567
VAT No. 836697083

www.fequineproducts.co.uk www.midlandequestrian.co.uk

Sales Advisor:	Carlo	CLIENT:	John Steels
SCALE:	N.T.S.	Item Number:	3IR
File Name:	3IR - Full Assembly		

QUANTITY:	DATE:	DRAWN BY:	CHECKED BY:	SIGNATURE:	REVISION:
x1	25-09-17	A. B.	-	-	-
IF IN DOUBT ASK			DO NOT SCALE DRAWING		
ALL DIMENSIONS IN mm UNLESS OTHERWISE STATED					SHEET 2 OF 2